

REV.	DCR NO.	DATE	REVISION	DRW	APP'D

**MIXER FEATURES**

**FRAME SPECIFICATIONS:**  
 STAINLESS STEEL EXTERIOR – WASH DOWN DUTY  
 HEAVY-DUTY "UNIBODY" FRAME DESIGN  
 STAINLESS STEEL END DOORS WITH SAFETY SWITCHES ON DRIVE END  
 STAINLESS STEEL BUMPER BAR  
 STAINLESS STEEL SLOPED COVER OVER DRIVE MOTOR  
 6" HIGH STAINLESS STEEL LEGS

**BOWL SPECIFICATIONS:**  
 STAINLESS STEEL BOWL MATERIAL  
 NO BOWL JACKET

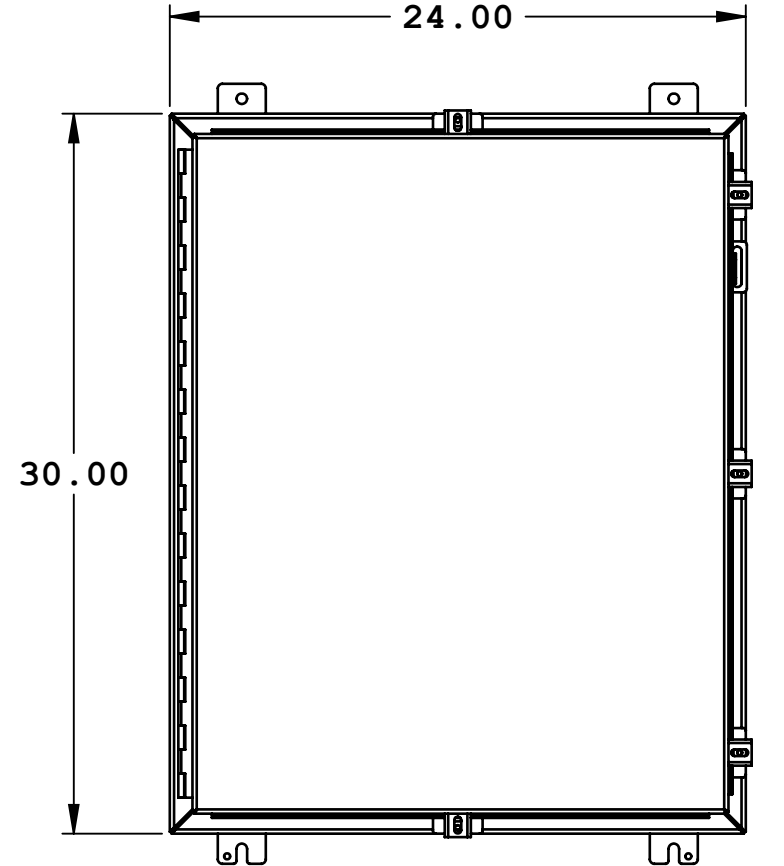
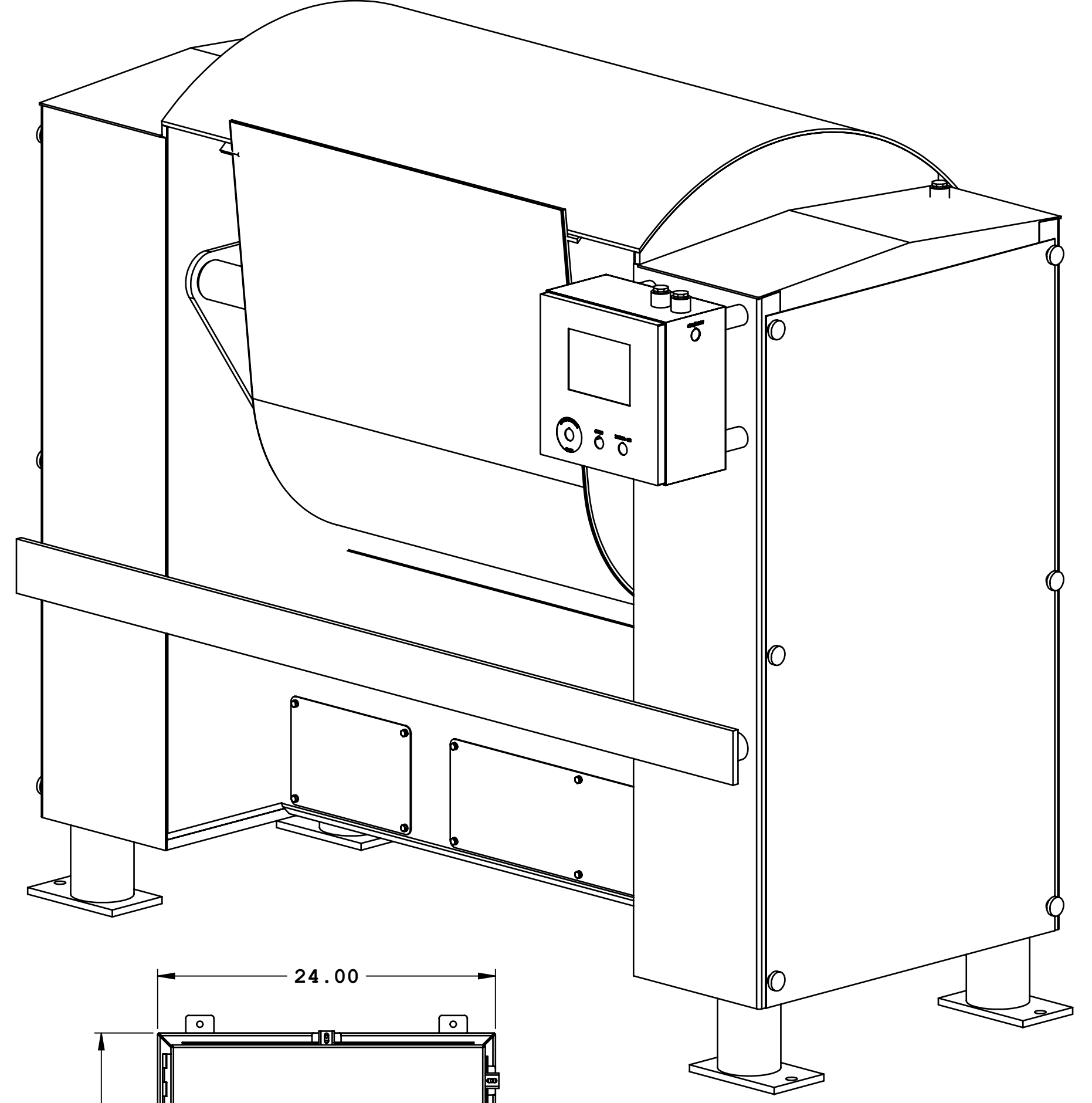
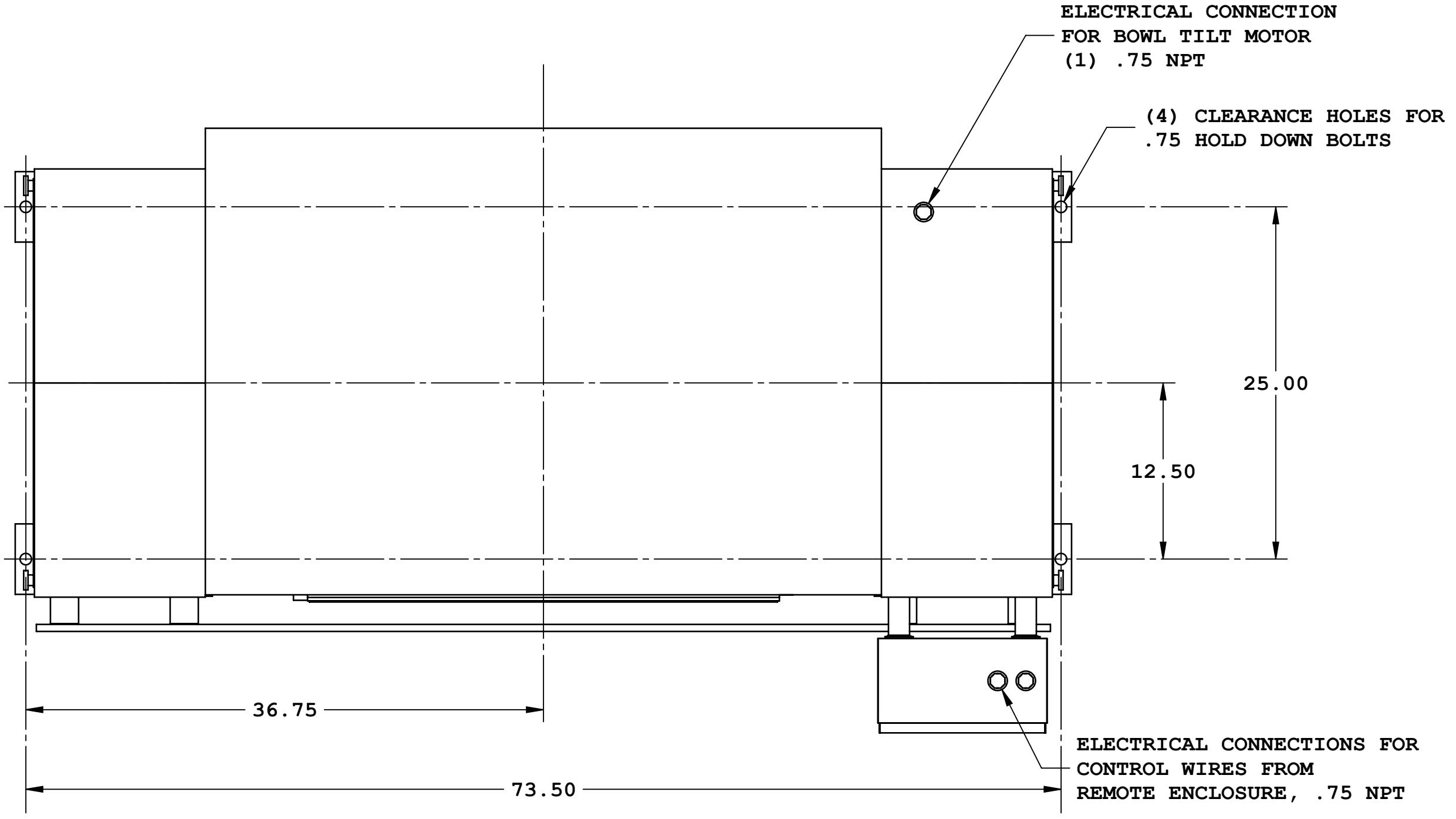
**AGITATOR SPECIFICATIONS:**  
 STAINLESS STEEL AGITATOR AND SHAFT  
 SANITARY REMOVABLE SHAFT SEALS  
 AGITATOR, 25 RPM

**TILT SPECIFICATIONS:**  
 1 H.P. HYDRAULIC BOWL TILT, 90° FORWARD  
 ONE HYDRAULIC CYLINDER

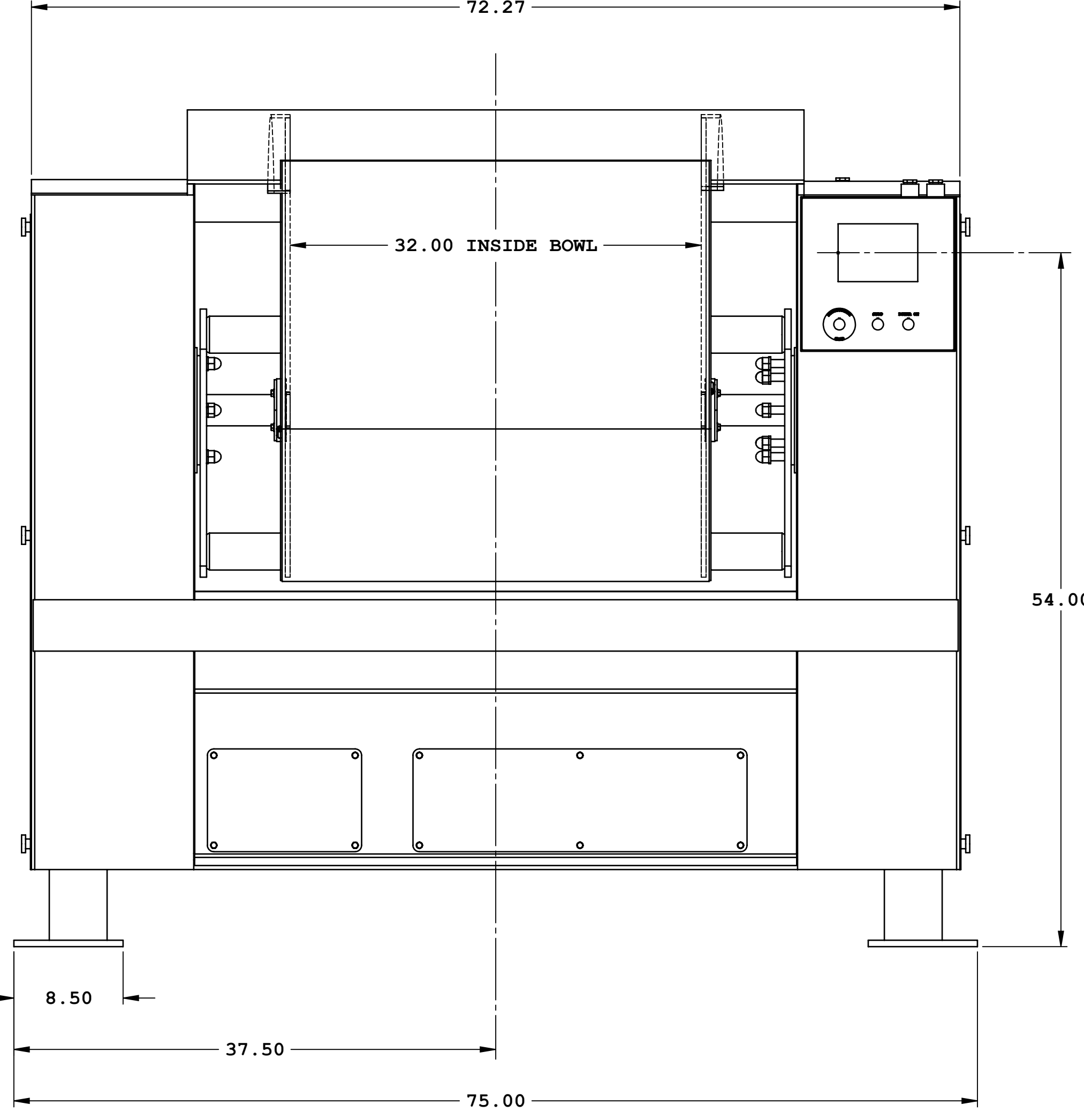
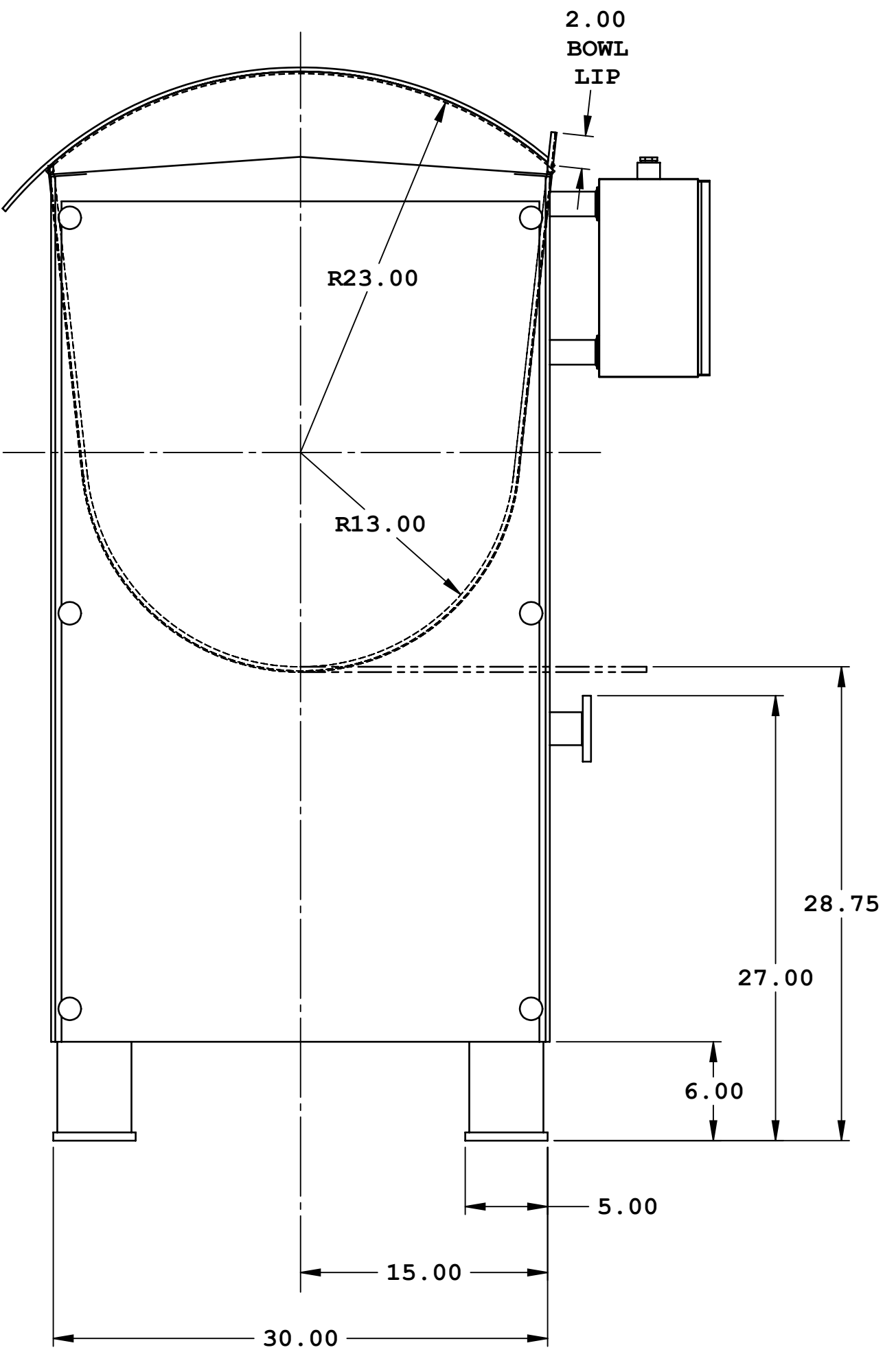
**DRIVE SPECIFICATIONS:**  
 15 HP WASH DOWN MOTOR  
 SINGLE END CHAIN DRIVE

**CANOPY SPECIFICATIONS:**  
 STAINLESS STEEL CANOPY MATERIAL

**ELECTRICAL SPECIFICATIONS:**  
 240/3/60 PRIMARY VOLTAGE, 24V DC CONTROL VOLTAGE  
 NEMA 12 REMOTE STARTER ENCLOSURE  
 NEMA 4X OPERATOR INTERFACE TERMINAL – 6" PEERLESS VCP  
 ALLEN BRADLEY MICRO LOGIX PLC



REMOTE MOUNTED NEMA 12  
 ELECTRICAL ENCLOSURE  
 8.00 DEEP



**PEERLESS MODEL HM300SD HALLMARK MIXER**

TO MINIMIZE DELAYS IN SHIPMENT OF YOUR EQUIPMENT, REVIEW AND RETURN PRINTS A.S.A.P. PRODUCTION OF YOUR EQUIPMENT CANNOT START UNTIL APPROVED IS RECEIVED.

**CUSTOMER APPROVAL STATUS**

APPROVED AS DRAWN. PROCEED WITH FABRICATION.

APPROVED AS NOTED. REVISE AND PROCEED WITH FABRICATION.

NOT APPROVED. REVISE AS NOTED AND RESUBMIT FOR APPROVAL.

SIGNED: \_\_\_\_\_  
 DATE: \_\_\_\_\_

DO NOT SCALE DRAWING  
 TOLERANCES (UNLESS OTHERWISE SPECIFIED)  
 DECIMALS .X ± .125  
 .XX ± .030  
 .XXX ± .005  
 ANGLES ± 1°  
 BREAK ALL EDGES .016 MAX

THE INFORMATION CONTAINED IN THIS DRAWING IS SOLE PROPERTY OF THE PEERLESS GROUP. ANY REPRODUCTION IN PART OR WHOLE WITHOUT PERMISSION FROM THE PEERLESS GROUP IS PROHIBITED.

**Peerless®**  
 THE PEERLESS GROUP  
 PEERLESS • HALLMARK • SUPERGRAIN®  
 PETERS • FEDCON • GOODWAY • ROYAL

TITLE: **CERTIFIED DATA SHEET**

MATERIAL: \_\_\_\_\_

SCALE: **1:8**

DWG NO.: \_\_\_\_\_

DATE: 6/5/2008  
 DATE: 6/6/2008