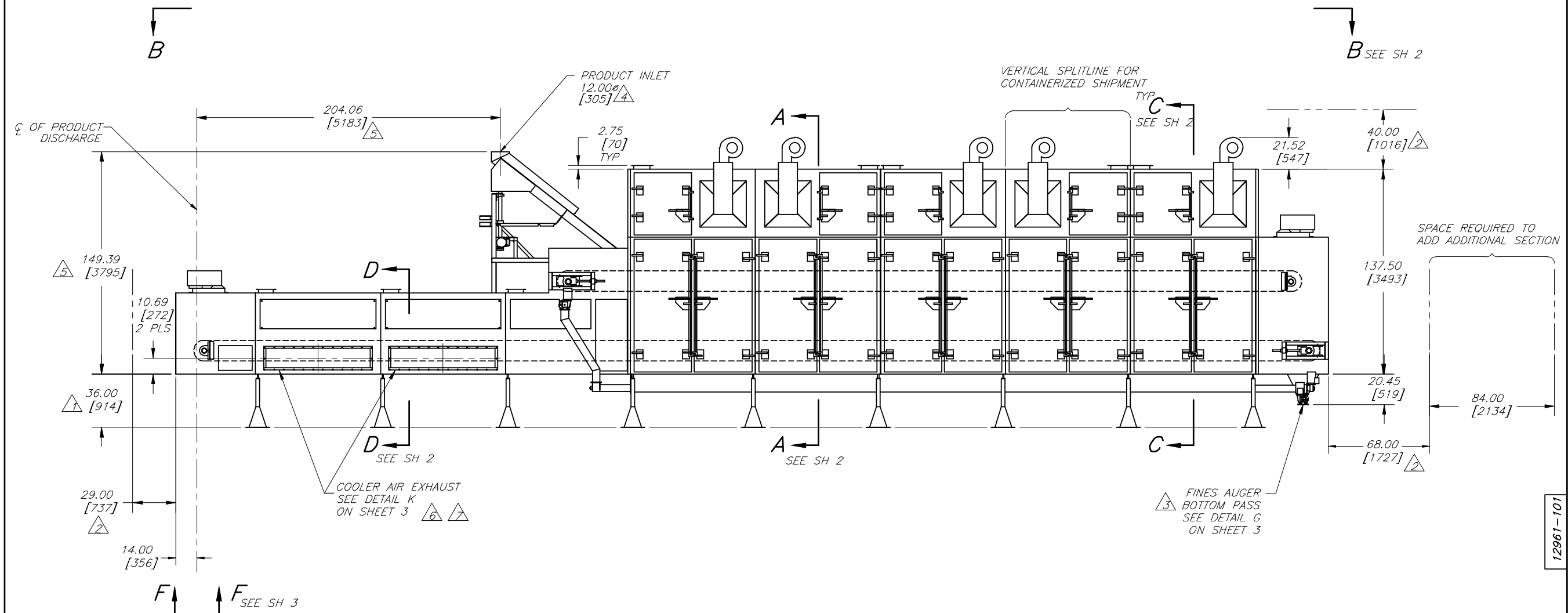


LTR	REVISION	BY	DATE	APR
A	INC DCN	MGN	9/27/12	BDS



- △ COOLER AIR DISCHARGE OPENINGS CAN BE MOUNTED ON OPPOSITE SIDE OF COOLER.
 - △ CONNECTION POINT FOR CUSTOMER'S EXHAUST DUCT. SEPARATE EXHAUST FAN PROVIDED.
 - △ TOLERANCE = ±1.00 [25]
 - △ INSIDE DIMENSION.
 - △ THIS FINES DISCHARGE CAN BE MOUNTED ON OPPOSITE SIDE OF DRYER.
 - △ MINIMUM CLEARANCE REQUIRED TO OPEN DOORS OR MOUNT PLUMBING, DUCTING AND BURNERS.
 - △ ALL LEGS ARE ADJUSTABLE ±1.00[25] FOR LEVELING.
- NOTES: UNLESS OTHERWISE SPECIFIED.

ABBREVIATION	
DIA	DIAMETER
∅	
EXDR	EXTRUDER
FT	FOOT
G	GRAMS
GEN DIM	GENERAL DIMENSION
HD	HEADS
ID	INSIDE DIAMETER
KG	KILOGRAM
kPa	KILOPASCALS
LB	POUNDS
MAX	MAXIMUM
MDL	MODEL
MIN	MINIMUM
ML	MILLILITER
[]	MILLIMETER
NPT	NATIONAL TAPERED PIPE THREAD
OD	OUTSIDE DIAMETER
PLS	PLACES
POSN	POSITION
PSI	POUNDS PER SQUARE INCH
TYP	TYPICAL

FOR APPROVAL

PLEASE RETURN SIGNED DRAWING WITH ACTION SPECIFIED TO WENGER MFG., INC. BY DATE JUNE 1, 2012

APPROVED FOR FABRICATION—NO CHANGES
 APPROVED FOR FABRICATION WITH CHANGES NOTED
 NOT APPROVED FOR FABRICATION—REVISE AND RESUBMIT FOR APPROVAL.

BY: _____ DATE: _____

DIMENSIONS HEREON ARE FOR REF PURPOSES ONLY & ARE SUBJECT TO CHANGE WITHOUT NOTICE. DATED PRINTS ARE AVAILABLE UPON REQUEST.

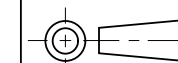


DIMENSIONS ARE IN INCHES [MM]	DFTM MGN 5/15/12
	CHKR BDS 5/15/12
UNLESS OTHERWISE SPECIFIED: TOLERANCES ARE ±.25 [±6] PLUMBING DIMENSIONS ARE ±1.00 [±25]	ENGR BDS 5/15/12
	THIRD ANGLE PROJECTION

SABETHA USA KANSAS CITY USA ANTWERPEN BELGIUM TAICHUNG TAIWAN

**DRYER/CLR—GEN DIM,
2 PASS**
(SO# 12961-1)
(IDAPRO)

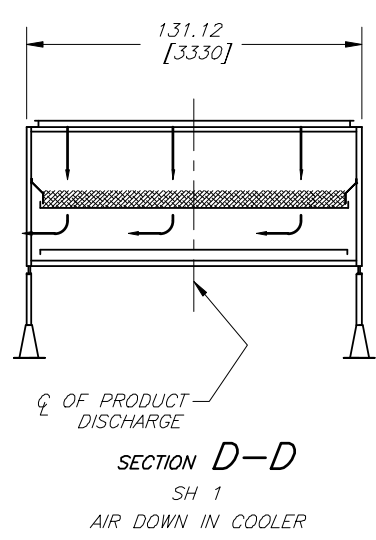
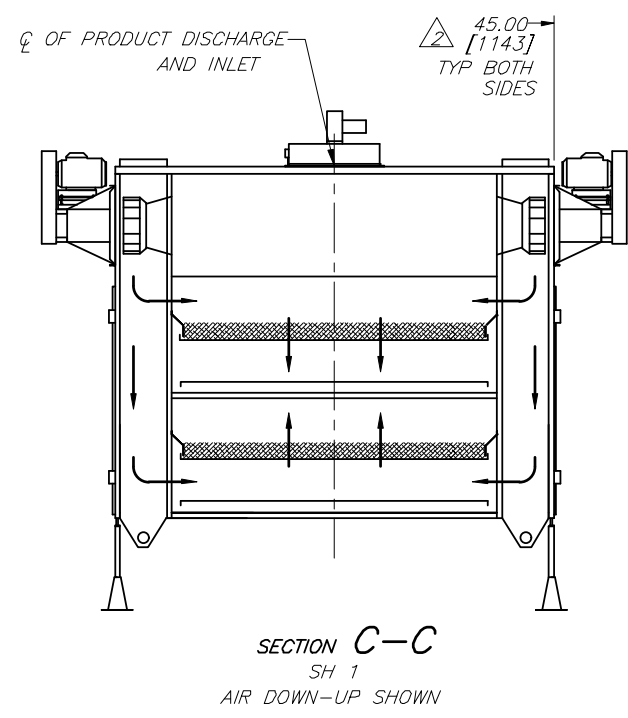
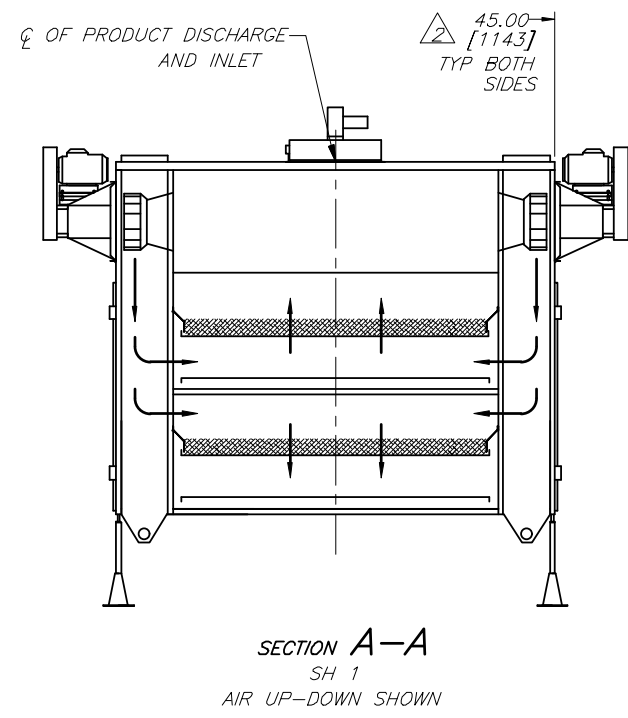
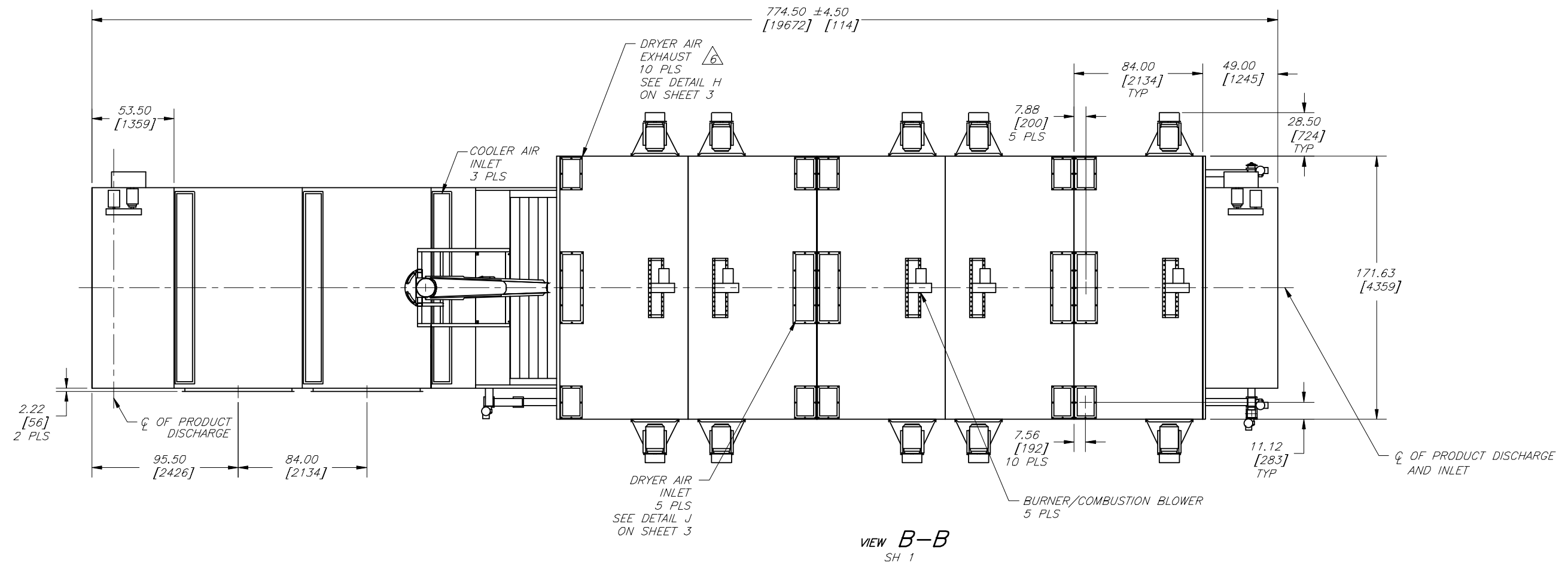
DO NOT SCALE DRAWING! UNSPECIFIED DIMENSIONS SHOULD BE REQUESTED.




REV A	SIZE C	DWG NO. 12961-101
SCALE 1/50		SHEET 1 OF 5

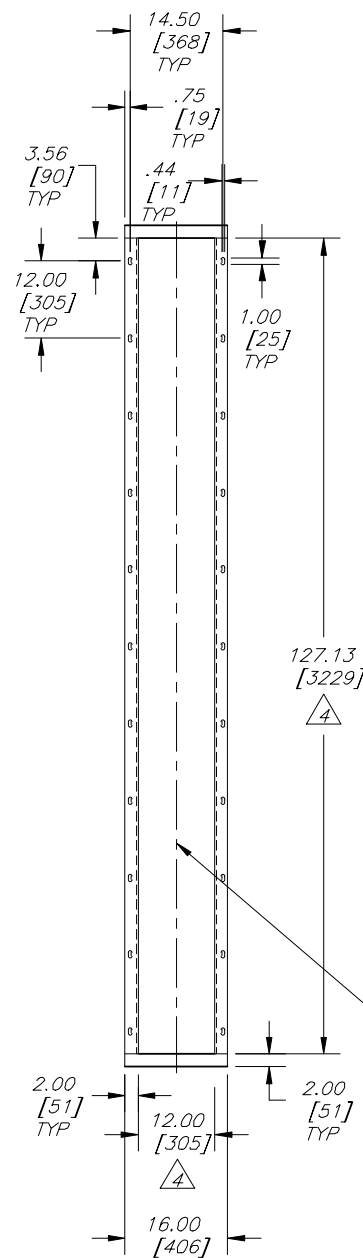
THIS DRAWING AND THE DESIGN FEATURES OR CONSTRUCTION DISCLOSED ARE PROPERTY OF WENGER MANUFACTURING, INC. AND SHALL NOT BE REPRODUCED OR COPIED WITHOUT WRITTEN PERMISSION. THEY SHALL NOT BE USED IN ANY MANNER DETRIMENTAL TO WENGER'S INTEREST AND SHALL BE RETURNED UPON REQUEST.

12961-101



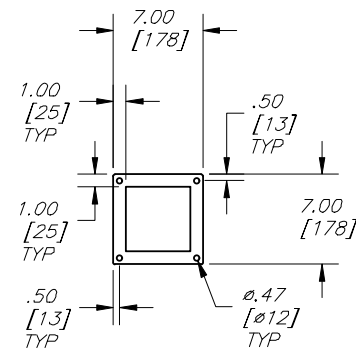
					
			SABETHA USA	KANSAS CITY USA	ANTWERPEN BELGIUM
DRYER/CLR-GEN DIM, 2 PASS					
REV A	SIZE C	DWG NO. 12961-101			
SCALE 1/50				SHEET 2 OF 5	

THIS DRAWING AND THE DESIGN FEATURES OR CONSTRUCTION DISCLOSED ARE PROPERTY OF WENGER MANUFACTURING INC. AND SHALL NOT BE REPRODUCED OR COPIED WITHOUT WRITTEN PERMISSION. THEY SHALL NOT BE USED IN ANY MANNER DETRIMENTAL TO WENGER'S INTEREST AND SHALL BE RETURNED UPON REQUEST.

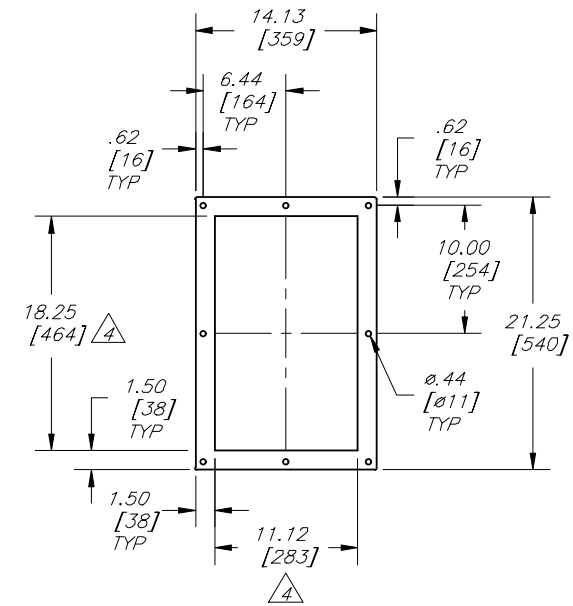


DETAIL F-F
SCALE: 1/16

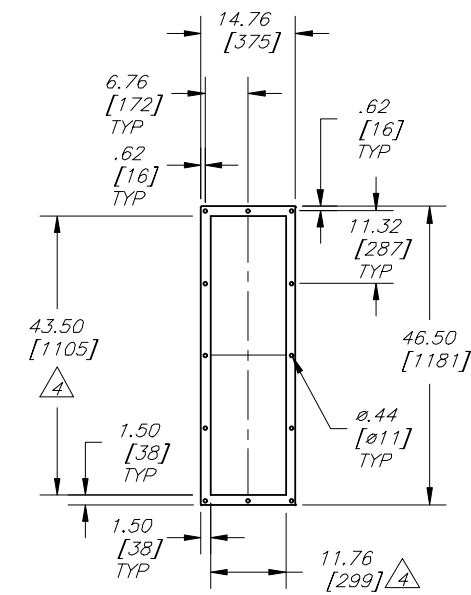
PRODUCT DISCHARGE



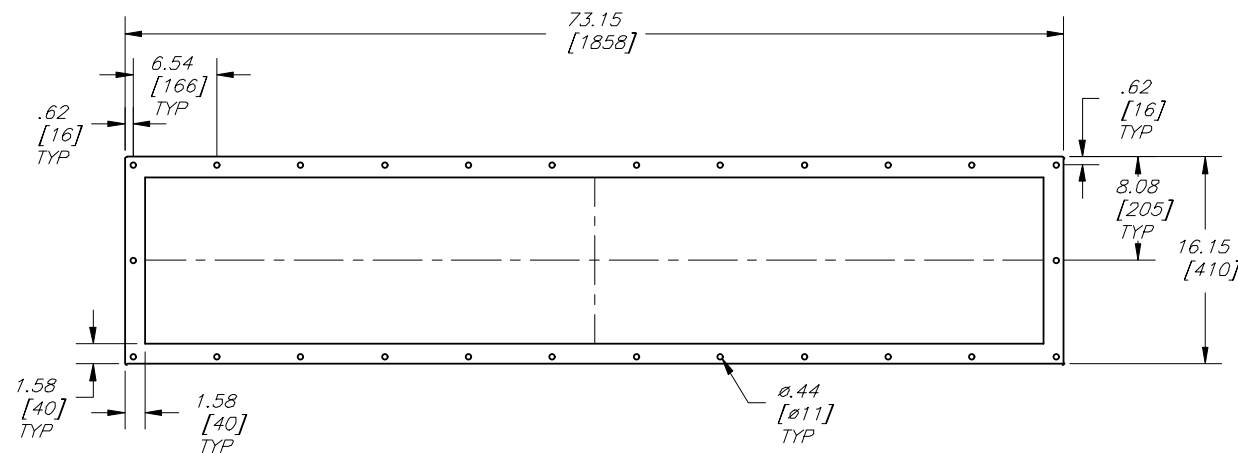
DETAIL G
SCALE: 1/10



DETAIL H
SCALE: 1/10



DETAIL J
SCALE: 1/16



DETAIL K
SCALE: 1/10

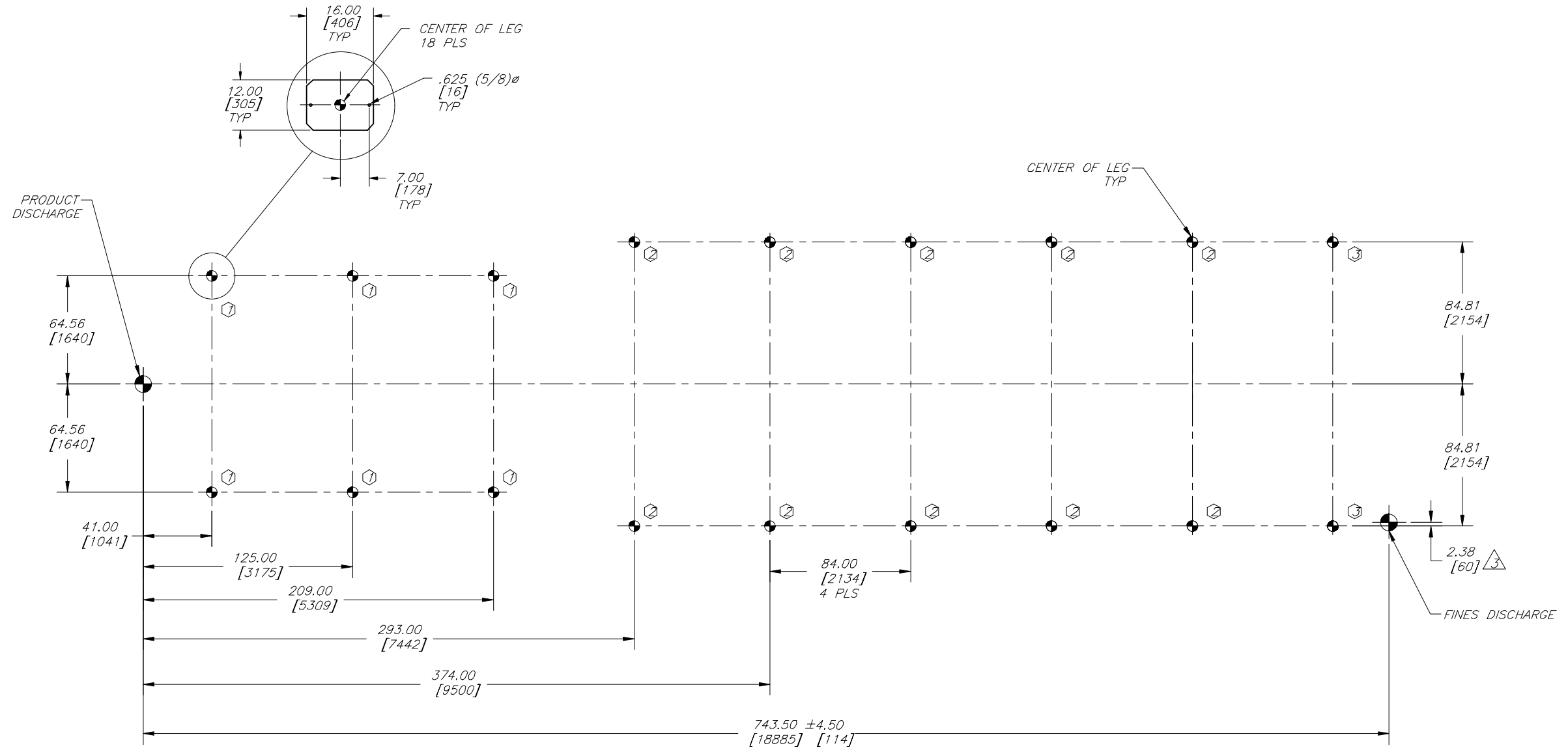


SABETHA USA KANSAS CITY USA ANTWERPEN BELGIUM TAICHUNG TAIWAN

DRYER/CLR-GEN DIM,
2 PASS

REV A	SIZE C	DWG NO. 12961-101
SCALE 1/50		SHEET 3 OF 5

THIS DRAWING AND THE DESIGN FEATURES OR CONSTRUCTION DISCLOSED ARE PROPERTY OF WENGER MANUFACTURING, INC. AND SHALL NOT BE REPRODUCED OR COPIED WITHOUT WRITTEN PERMISSION. THEY SHALL NOT BE USED IN ANY MANNER DETRIMENTAL TO WENGER'S INTEREST AND SHALL BE RETURNED UPON REQUEST.



FLOOR PLAN

FLOOR LOADINGS IN LB [KG] (WEIGHT EMPTY)	
⊠	3600 [1633]
⊞	6000 [2721]
⊚	7150 [3243]

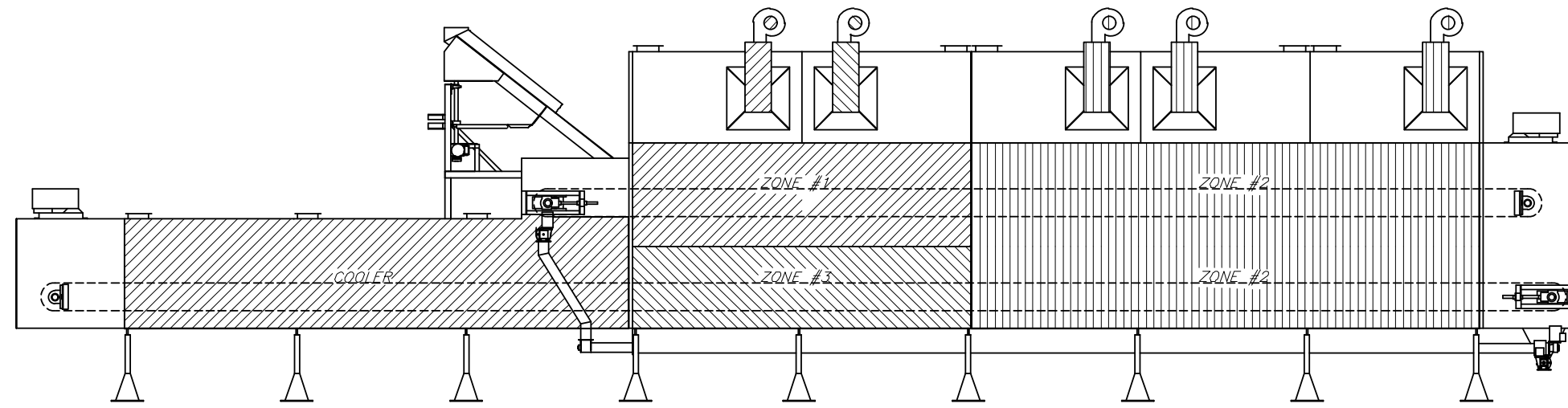


SABETHA USA KANSAS CITY USA ANTWERPEN BELGIUM TAICHUNG TAIWAN


DRYER/CLR-GEN DIM,
2 PASS

REV A	SIZE C	DWG NO. 12961-101
SCALE 1/50		SHEET 4 OF 5

THIS DRAWING AND THE DESIGN FEATURES OR CONSTRUCTION DISCLOSED ARE PROPERTY OF WENGER MANUFACTURING, INC. AND SHALL NOT BE REPRODUCED OR COPIED WITHOUT WRITTEN PERMISSION. THEY SHALL NOT BE USED IN ANY MANNER DETRIMENTAL TO WENGER'S INTEREST AND SHALL BE RETURNED UPON REQUEST.



THIS DRAWING AND THE DESIGN FEATURES OR CONSTRUCTION DISCLOSED ARE PROPERTY OF WENGER MANUFACTURING INC. AND SHALL NOT BE REPRODUCED OR COPIED WITHOUT WRITTEN PERMISSION. THEY SHALL NOT BE USED IN ANY MANNER DETRIMENTAL TO WENGER'S INTEREST AND SHALL BE RETURNED UPON REQUEST.

 WENGER ®			
SABETHA USA	KANSAS CITY USA	ANTWERPEN BELGIUM	TAICHUNG TAIWAN
DRYER/CLR-GEN DIM, 2 PASS			
REV A	SIZE C	DWG NO. 12961-101	
SCALE 1/50			SHEET 5 OF 5