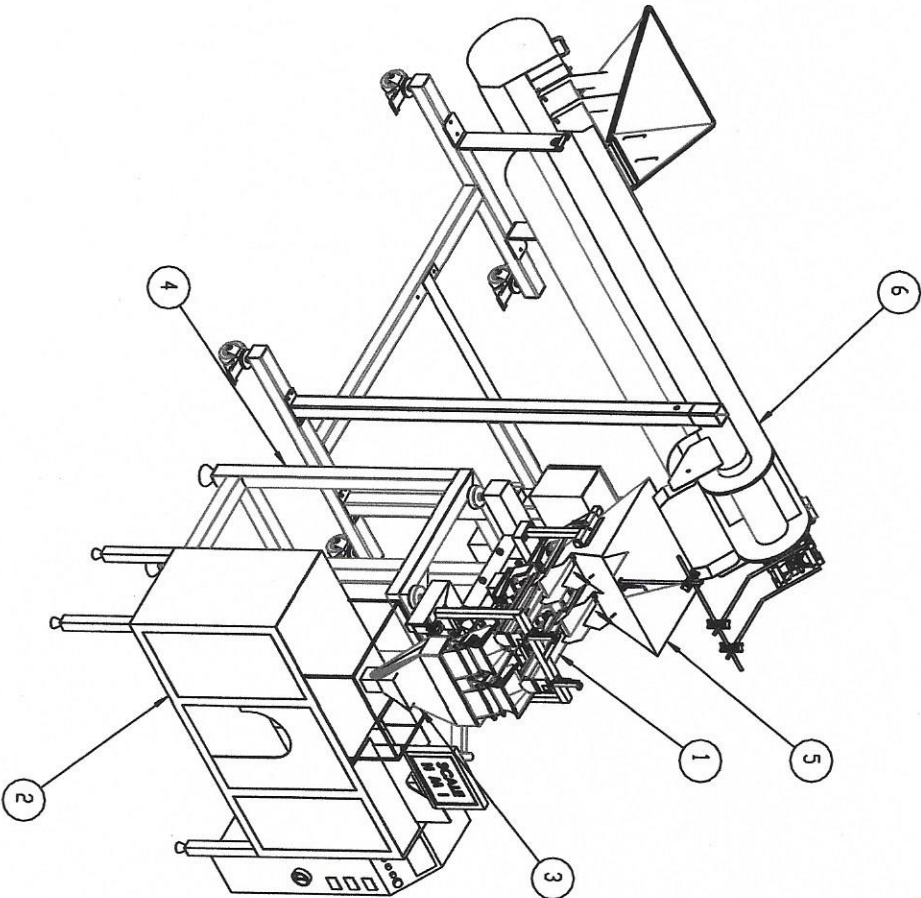


THE FOLLOWING IS A LAYOUT OF THE SYSTEM WEIGHPACK SYSTEMS, INC. IS BUILDING FOR THE CLIENT. THE CLIENT IS TO REVIEW THIS LAYOUT AND ADVISE WEIGHPACK SYSTEMS, INC. WITHIN THE NEXT 3 DAYS IF ANY CHANGES ARE REQUIRED. IF WEIGHPACK SYSTEMS, INC. DOES NOT RECEIVE ANY NOTICE THIS LAYOUT WILL BE RELEASED FOR PRODUCTION. ANY CHANGES REQUIRED THEREAFTER WILL DELAY DELIVERY AND WILL INCUR ADDITIONAL COST AT CLIENT'S EXPENSE.



ITEM	DESCRIPTION OF MACHINE	QTY.
7	PC PANEL	1
6	INCLINED INFEED CONVEYOR	1
5	SCALE HOPPER	1
4	STAND FLOOR S/S	1
3	SCALE FUNNEL	1
2	SWIFTY JUNIOR	1
1	SCALE V-1 2L-3P	1

WEIGHPACK SYSTEMS, INC. 10000 W. 10TH AVENUE, SUITE 100, DENVER, CO 80202
 TEL: 303.751.1111 FAX: 303.751.1112
 WWW.WEIGHPACK.COM

DATE ORDERED: 10-11-2013
 DATE SHIP: 11-11-2013
 ESTIMATED COST: \$1185

CLIENT: [REDACTED]
 JOB: [REDACTED]
 LAYOUT: 1185

REV 0

NOTE: DIMENSIONS ARE APPROXIMATE AND SUBJECT TO FINAL CONSTRUCTION

NOT FOR FABRICATION