

Ryan Model 793 Rotary Table Utility Slicer



RYAN
TECHNOLOGY, INC.

Ryan Model 793 Rotary Table Utility Slicer

High-speed versatile horizontal slicer for bagels, English muffins, buns, croissants, etc.

Capacity: Up to 8000 units per hour depending on product and in-feed method.
Will handle product up to 5 1/2" in width, 3" tall, and 12" long.

Single-blade (793A) or Dual-blade (793B) Configuration

Standard Features:

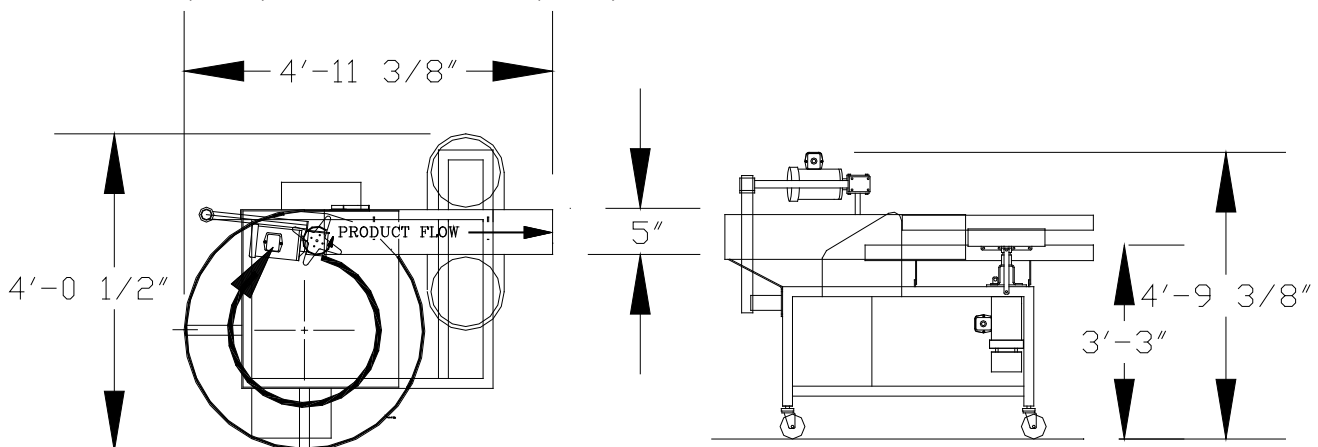
- 3 foot diameter rotary table
- USDA approved powder-coated tubular steel frame
- Nickle plated steel blade housings, conveyors, and guards
- 1 HP motors on blades with brakes to stop blades within one revolution upon shut-down
- Coded magnetic safety switches on Lexan blade covers that allow operation only when covers are in place
- 12" circular saw blades
- Adjustable for cut height, depth, and product width
- Factory adjustable conveyor speed (non-vary-drive machines)
- 3-Phase power (208 or 240 volt) 15 amp
- 5" casters

Options:

- Ryton coating on blades
- Turn table/conveyor variable speed drive
- In-table in-feed product guide (for sub-roll-type products)
- Right-hand or left-hand configuration (right-hand shown)
- Wash down upgrade

Crate Size: (793B) 67" x 55" x 55" H, (793A) 67" x 49" x 55"H

©8/2016



RYAN
TECHNOLOGY, INC.

1-800-277-2290 • 503-648-9967 • 503-640-3846 (Fax) • www.RyanSlicer.com

P.O. Box 1960 Hillsboro, OR 97123-1960 USA