



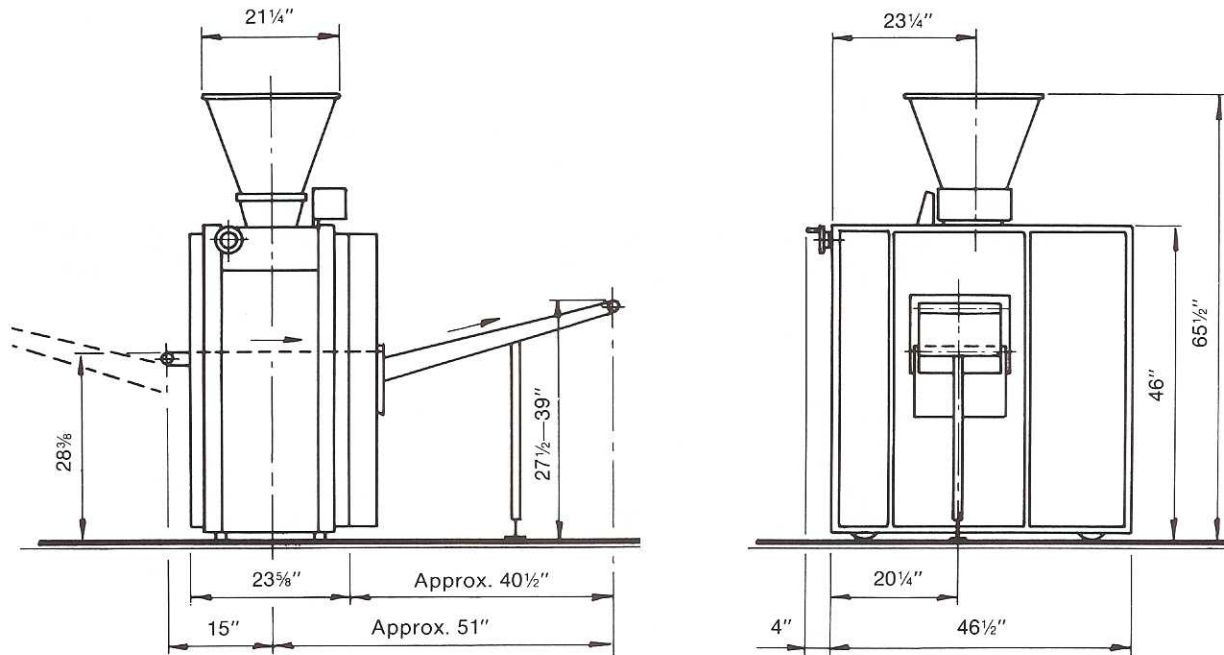
Models B8012
B8021
B8024
B8040

B80 Versatile Multi-Pocket Dough Dividers



**Accurate Scaling,
Gentle Dough
Handling Equipment.**

**Capacities:
800 to 6,400
pieces per hour**



Contents Hopper: 130 lbs.
 Drive Motor: 1 HP 1800 RPM
 Electrical: 208/230V* - 3 phase, 60 cycle, 5 amp.
 Net Weight: 1,200 lbs.

*Special voltage available upon request.

Capacity in pieces per hour and scaling range:

Type	No. of Pistons	Pieces per Hour*		Weight Range**	
		Min.	Max.	Min.	Max.
B8012	2	1,600	3,200	1 oz.	10 ozs.
	1	800	1,600	10 ozs.	40 ozs.
B8021	2	1,600	3,200	7 ozs.	35 ozs.
	1	800	1,600	14 ozs.	70 ozs.
B8024	4	3,200	6,400	1 oz.	10 ozs.
	2	1,600	3,200	7 ozs.	35 ozs.
B8040	4	3,200	6,400	1 oz.	10 ozs.

*NOTE: Rated capacity indicated is minimum and maximum capacity per hour with optional variable speed drive. Fixed speed can be factory set in any one of the above ranges.

**Minimum and maximum scaling range limits are subject to dough structure and water absorption.

Specifications subject to change without notice