

ELEVATION (A)
SCALE: 1/8" = 1'-0"

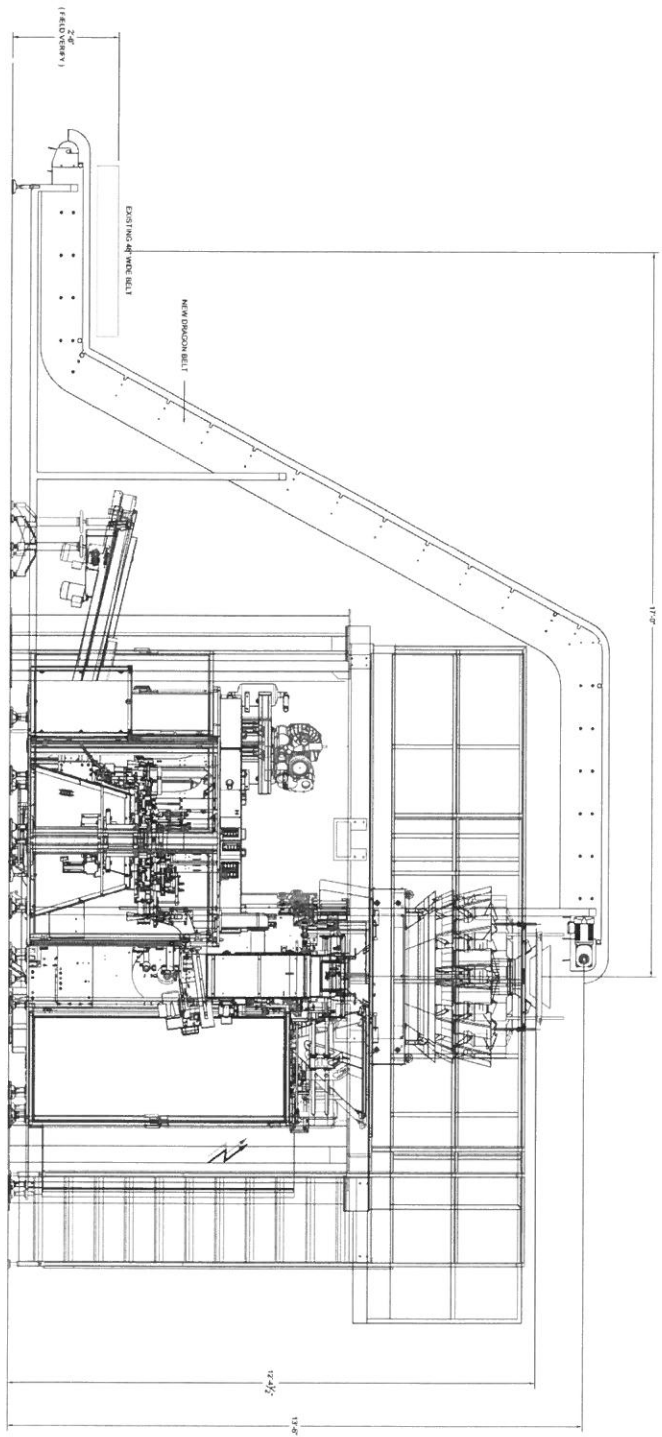
REVISIONS	DATE	BY	REASON

PROJECT TITLE

SHEET TITLE
ELEVATION

BUILDING NO.

SHEET NUMBER
2.1



ELEVATION (A)
SCALE 3/4" = 1'-0"

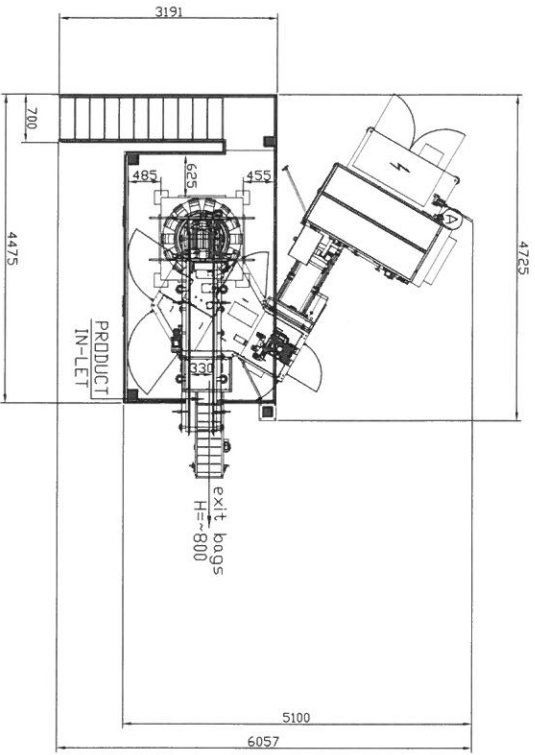
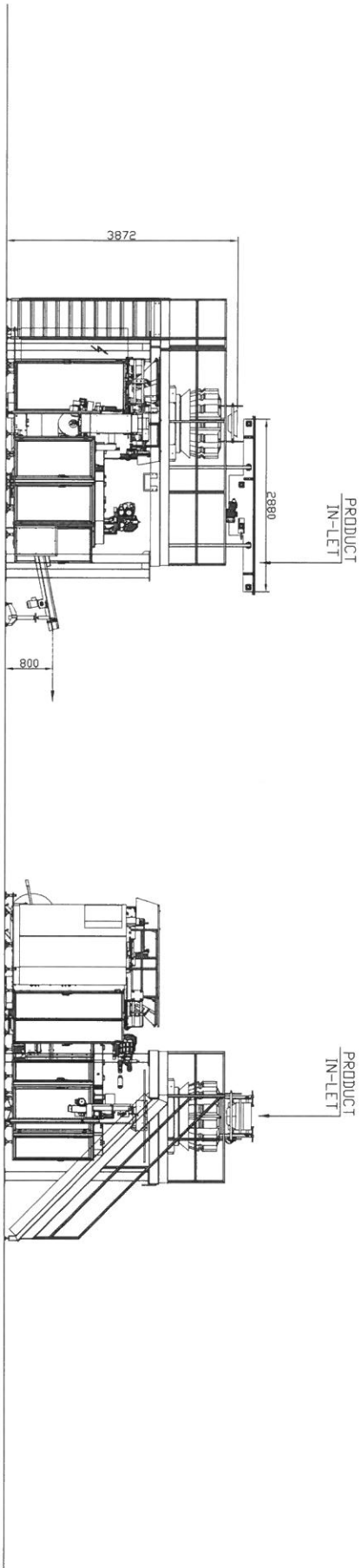
REVISIONS	DATE	BY	DATE
1			
2			
3			
4			
5			

PROJECT TITLE

SHEET TITLE
ELEVATION

BUILDING NO.

SHEET NUMBER
2.1



denominazione

Codice