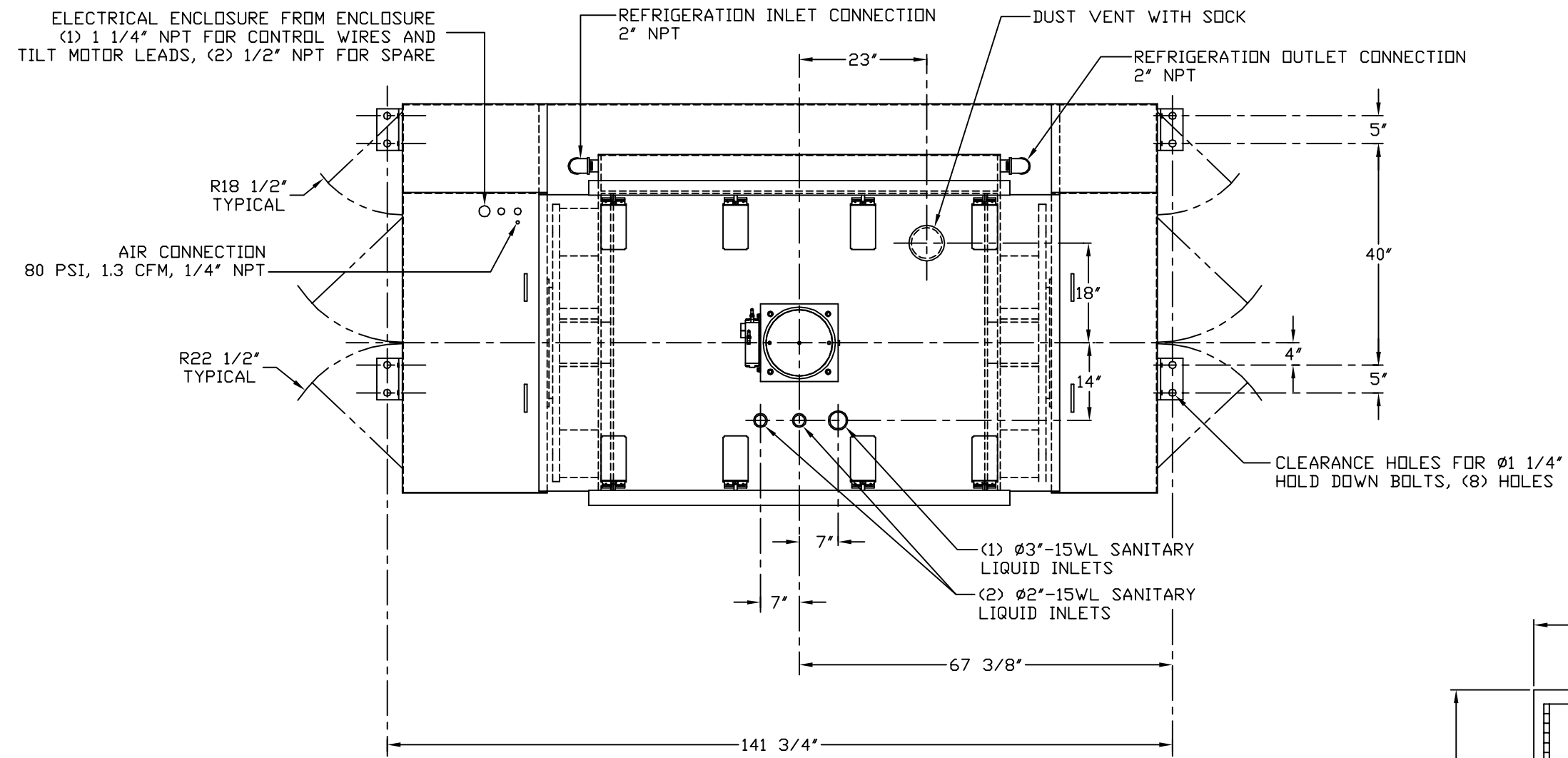


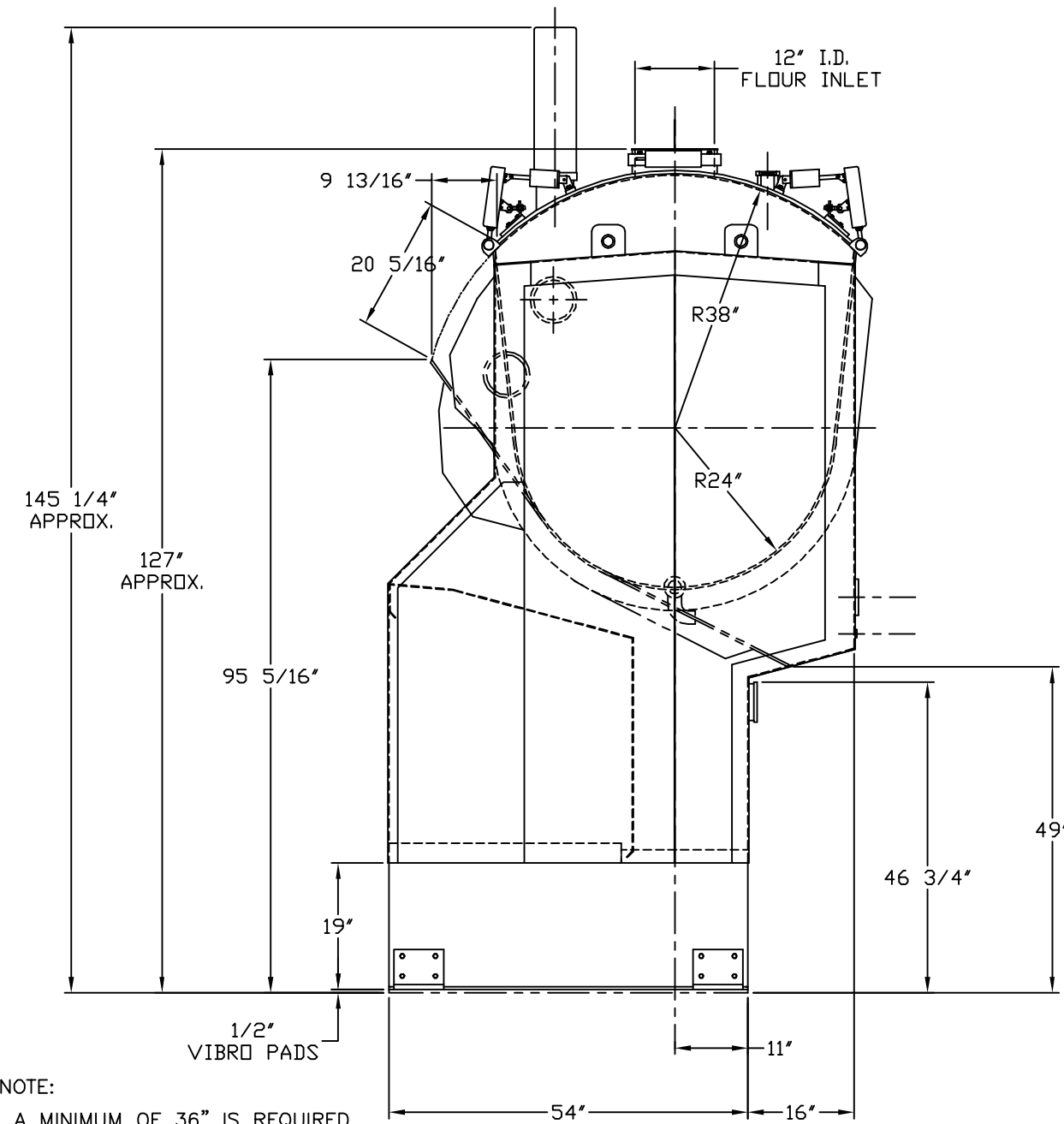
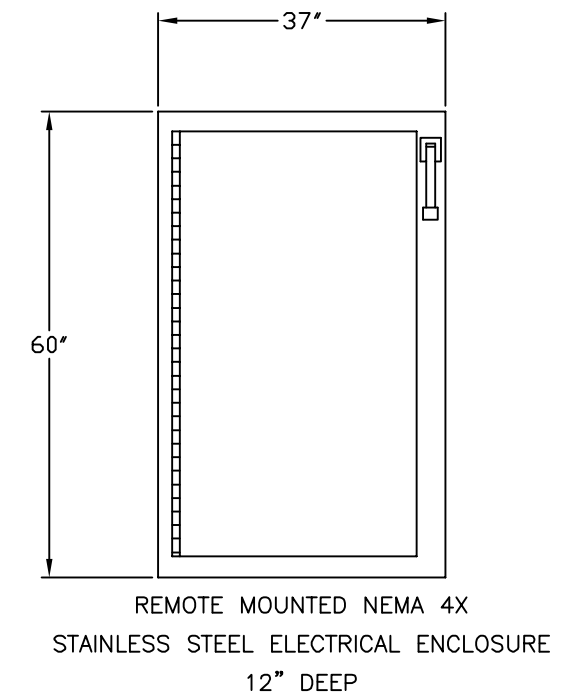
MIXER FEATURES

- 175/87 1/2 HP 1800/900 RPM TEFC SANITARY DRIVE MOTOR
- 460 VOLT 3 PHASE 60 HERTZ WITH 115 VOLT FULL MAGNETIC CONTROLS
- REMOTE MOUNTED NEMA 4X STAINLESS STEEL ELECTRICAL ENCLOSURE WITH CIRCUIT BREAKERS & PROGRAMMABLE LOGIC CONTROLLER (AB-SLC-5/05)
- SOLID STAINLESS STEEL EXTERIOR
- SOLID STAINLESS STEEL BOWL ASSEMBLY
- SOLID STAINLESS STEEL BOWL COVER ASSEMBLY
- SOLID STAINLESS STEEL AGITATOR & SHAFT ASSEMBLY
- SOLID STAINLESS STEEL LIQUID COOLING JACKET ON BOWL SHEET AND BOWL ENDS - GLYCOL
- SOLID STAINLESS STEEL WELDED IN DRIP PAN/FRONT PANEL
- SOLID STAINLESS STEEL BUMPER BAR ASSEMBLY
- STAINLESS STEEL BOLT-ON LEGS
- SANITARY REMOVABLE SHAFT SEALS
- AGITATOR SPEEDS: 35 RPM LOW 70 RPM HIGH
- SAFETY SWITCHES ON END DOORS
- HYDRAULIC POWERED TWO-WAY BOWL TILT - 115° FORWARD 35° REVERSE
- SINGLE END BELT DRIVE
- MANUAL CENTRAL LUBRICATION SYSTEM
- FRONT AND REAR BOWL SEALS
- PNEUMATIC SANITARY BUTTERFLY VALVE FLOUR GATE IN CANOPY
- DUST VENT WITH SOCK IN CANOPY
- (2) Ø2" AND (1) Ø3"-15WL SANITARY LIQUID INLETS IN CANOPY
- BOWL DRAIN VALVE - DISCHARGES TO FRONT OF MIXER
- VIBRO PADS
- LIFTING LUGS
- MIXER TO BE SHIPPED LAYING DOWN WITH LEGS, MOTOR, REDUCER, AND HYDRAULIC POWER UNIT REMOVED

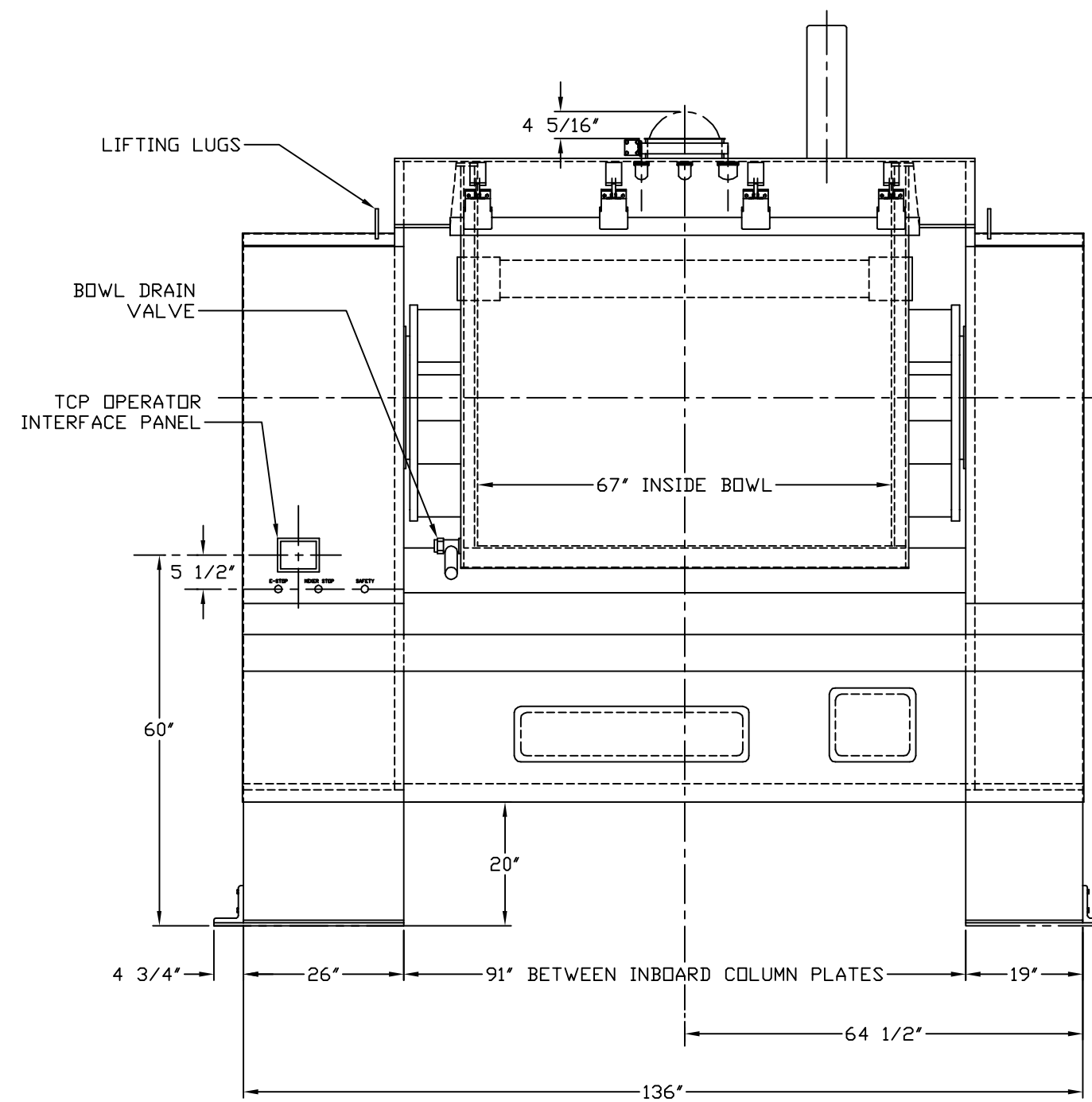
ELECTRICAL ENCLOSURE FROM ENCLOSURE
(1) 1 1/4" NPT FOR CONTROL WIRES AND TILT MOTOR LEADS, (2) 1/2" NPT FOR SPARE



DATE	REV	REVISION (+ ADD, - REMOVE, ± WAS)	DR NO	DR BY	CHK BY
9/13/02	A	ADDED 3" INLET	10871	TB	TB
10/02/02	B	LOWERED TCP, WAS 72"	10990	TB	TB
		REAR BOWL OPEN 29 DEG			



NOTE:
A MINIMUM OF 36" IS REQUIRED BEHIND MIXER TO REMOVE DRIVE MOTOR



PEERLESS MODEL HS32TWT TRIPLE ROLLER BAR MIXER

FOR: INTERSTATE BRANDS CORPORATION - BIRMINGHAM, AL
C.M.O. #202099

PEERLESS MACHINERY CORPORATION SIDNEY, OHIO	
TOLERANCES (UNLESS OTHERWISE SPECIFIED) DECIMAL .XX = ±.01 ANGLES ±1° FRACTIONAL ± 1/32 .XXX = .005 BREAK ALL EDGES	
MATERIAL	APPROVED BY: J. MARTIN D. THOMAS
SCALE	TITLE
1:16	CERTIFIED DATA SHEET
DATE	DRAWING NUMBER
8/14/02	CDS202099