

**SPIRAL COOLER SPECIFICATION**

Product clearance -> 6.75 inches

Tier Pitch (belt surface to belt surface) -> 9.5 inches

Overall Belt Width -> 25.75 inches

Useable Belt Width (minus spurs) -> 24 inches

Belting Rod Pitch -> 1.5 inches

Approximate Overall Active Feet of Belt -> 1,250 feet

Belt Type -> Intralox



Frame Construction -> aluminum

Rotation of Cage (from plan view) -> counter-clockwise, down-go

Number of Tiers -> 19

Infeed height (belt surface) -> 17.675 feet

Outfeed Height (belt surface) -> 24.5 inches

Voltage -> motor has 230/460V, powered from 480V

H.P. Cage motor -> 10 HP SEW, 1160 RPM

H.P. Take-Up motor -> 1.5 HP US Motors

Wash Tank -> no

Frame Condition -> 10/10 (clean, great structural condition)

Belt Condition -> 9/10 (very slight wear is visible)

Outfeed Transition type -> 10 inch flat mesh transfer plate

Infeed Transition type -> none

Type of Drive -> SEW gearbox model RIABDV16046, 11 RPM output

Condition of Drive Caps -> 8/10 (slight wear)

Overall Height -> 19 feet

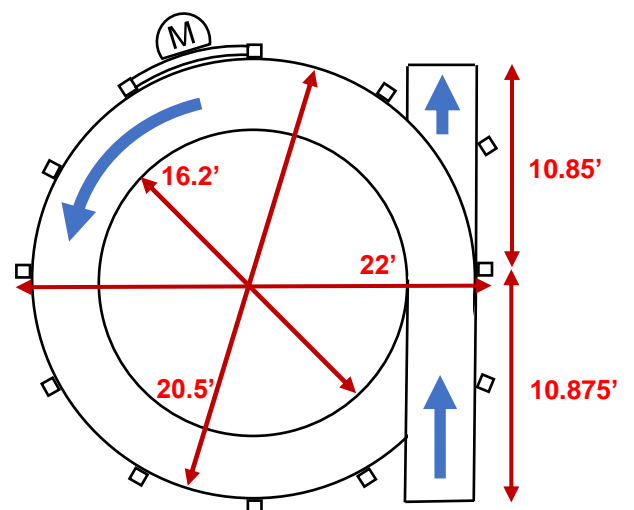
Overall Diameter -> 22 feet

Overall Belt Diameter -> 20.5 feet

Serial Number -> 93087A

Condition of Rollers -> 8/10 (slight grooving visible)

**OUT LOW**  
@ 2' 0.5" from ground  
10' 10.25" outfeed length



**IN HIGH**  
@ 17' 8" from ground  
10' 10.5" infeed length